

MJP 450 Series - Shaft Seal Mk1

Assembly

Pos	Qty	Part No	Description
1	1		Shaft seal
		34023	(complete seal assy- for shaft diameter 80 mm)
		34022	(complete seal assy- for shaft diameter 83 mm)
		34019	(complete seal assy- for shaft diameter 85 mm)
2*	3	34035	Radial Seal (for WS-80, WS-83 and WS-85)
3	1		Wear sleeve
		WS-80	(to 80 mm shaft)
		WS-83	(to 83 mm shaft)
		WS-85	(to 85 mm shaft)
4	2		O-ring
		32061	(to 80 mm shaft)
		32109	(to 83 mm shaft)
		32110	(to 85 mm shaft)
5	1	50310	Shaft seal hose
6	2	HC - 90	Hose Clamp (for Shaft Seal Hose)
7	1	34052	Shaft Seal Housing (incl. bearing and lock ring)
8	8	22004	Lockwasher (set)
9	8	21010	Socket head screw
10	1	23104	Thordon Bearing

MJP 450 Series - Pump Unit Mk1

Assembly

Pos	Qty	Part No	Description
2*	1	80250	Impeller
3	2	32062	O-ring
4	6	21007	Socket head screw
5	6	22004	Lock washer
6	1	24102	Lock ring
7	1	32061	O-ring
8	1	32068	O-ring
9	16	21012	Socket head screw
10	16	22010	Lock washer
11	1	51007 S	Lub oil pipe, short
11 b	1	51008 L	Lub oil pipe, long
12	2	32060	O-ring (1 pc / pipe)
13	6	32039	O-ring (3 pcs / pipe)
14	2	21042	Hex head screw
15	2	22000	Lock washer
16*	1	32505	Diffuser
17	12	21028	Socket head screw
18	12	22002	Lock washer
19	1	32069	O-ring
20	1	32066	O-ring
21	11	21013	Socket head screw
22	11	22010	Lock washer
23	16	21014	Hex head screw
24	16	22010	Lock washer
25	1	32071	O-ring
26	1	80150	Impeller Housing

MJP 450 Series - Hub Unit Mk1

Assembly

Pos	Qty	Part No	Description
1	1	44167	Coupling
2, 3	1		Fits new model Disc Pack part no 42038:
		21078	Coupling Bolts (set of 8 pcs)
		21079	Coupling Nuts (set of 4 pcs)
4	1	42038	Disc pack (incl. bolts, nuts and washers)

26	1	43163	Exchange Bearing Unit - tuned and ready for quick exchange - containing all parts from pos 6 to 21
6	1	44200	Flange
7	8	21030	Socket head screw
8	8	22017	Support Washer
9	1		Mechanical Seal T5M
		34000	New
		34000 R	Refurbished (customer must return old seal)
10	1	44130	Lid
11	8	21007	Socket head screw
12	8	22004	Lock washer
13	1	32063	O-ring
14	8	32060	O-ring
15	1	44210	Stub Shaft
16	1	43106	Conical Roller Bearing
17	1	44170	Bearing Housing
18	2	33011	Plug for disassemble
19	1	43107	Spherical Roller Bearing
20	1	43170	Support Washer
21	1	23029	Nut

22	1	44100	Cap
23	8	21007	Socket head screw
24	8	22004	Lock washer
25	2	32064	O-ring

MJP 450 Series - Hub Units

Model

450 Hub Unit Mk1

Manufactured

From 1996 -

MJP 450 Series - Steering Unit Mk1

Assembly

Pos	Qty	Part No	Description	
1	1	32504	Nozzle	
2	1	32502	Steering nozzle	
3	1	32500	Visor	
4	1	32503	Bucket	
5	2	32501	Link arm	(sold in pairs)
6	2	24118	Pin shaft	(link arm/visor)
6	2	24118	Pin shaft	(link arm/bucket)
7	2	24117	Pin Shaft	(bucket)
8	2	24116	Pin shaft	(visor)
9	2	24115	Pin shaft	(steering nozzle)
11a	4	24119	Pin shaft	(steering cyl.)
11a	4	24119	Pin shaft	(reversing cyl.)
11b	8	24120	Washer	(reversing cyl.)
12	2	35042	Bushing	(bucket)
13	2	24236	Securing plate SS	(to be welded)
14	2	35040	Bushing	(steering nozzle)
15	2	24238	Securing plate	(to be welded)
16	4	35043	Bushing	(link arm)
17	4	24237	Securing plate SS	(to be welded)
18	2	35041	Bushing	(visor)
19	2	24236	Securing plate SS	(to be welded)
20	4	23078	Cotter Pin	(steering cyl.)
20	2	23078	Cotter Pin	(reversing cyl.)
		32300	Pin Shaft Set - 450 Mk1	
		32200	Bushing Set - 450 Mk1	

Model

450 Steer Unit Mk1

Manufactured

1996 -

Hydraulic Hose Arrangement

MJP 450 Series - From 1996

Pos	Qty	Part No	Description		
1	2	51359-A	Hydraulic Hose (Reversing Cyl.)	90° - 90°	L=430
2	2	51360-B	Hydraulic Hose (Reversing Cyl.)	0° - 90°	L=780
3	2	51360-A	Hydraulic Hose (Steering Cyl.)	0° - 90°	L=280
4	2	51360-A	Hydraulic Hose (Steering Cyl.)	0° - 90°	L=400
5	2	51354-B	Protection Hose 3/8" (Reversing Cyl.)	open - 0°	L=1300
6	2	51354-A	Protection Hose 3/8" (Steering Cyl.)	open - 0°	L=800
7	16	40604	Connector (male/male)	3/8" - 3/8"	
8	16	51205	Bonded Seal	3/8"	
9	4	40603	Connector	1/2" - 3/8"	
10	4	51203	Bonded Seal	1/2"	
11	1	51302	Clamp	2 x 3/8"	

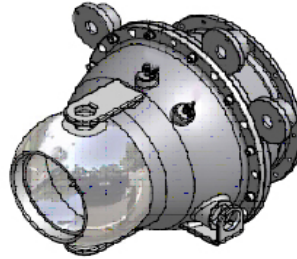
MJP 450 DRB - Shaft Seal

Pos	Qty	Part No	Description
1	1	34009	Shaft seal

MJP 450 DRB - Pump Unit

Pos	Qty	Part No	Description	[L450-1001 E]
-----	-----	---------	-------------	-----------------

1	50	22010	Lock Washer
2	1	43159	Hub Unit
3	12	22002	Lock Washer
4	-	-	-
5	1	32495	Diffuser
6	1	32494	Nozzle
7	24	21102	Socket Head Screw
8	2	32060	O-ring
9	2	51017	Lub oil pipe 450 L
10	2	21043	Socket Head Screw
11	1	80259	Impeller 450 L Mk1
12	1	80157	Impeller Housing 450 L Mk1
13	12	21028	Socket Head Screw
14	12	21067	Socket Head Screw
15	1	32068	O-ring
16	1	32066	O-ring
17	1	32112	O-ring
18	1	32062	O-ring
19	14	21013	Socket Head Screw



MJP 450 DRB - Hub Unit

Pos	Qty	Part No	Description	[L450-1005]
-----	-----	---------	-------------	---------------

1	1	42039	Disc pack 450 DRB	Complete, incl. Bolts, nuts and washers (21050)
2	8	22000	Lock Washer	
3	1	44179	Bearing Housing 450 DRB	
4	1	43107	Spher. Roller Bearing	
5	1	43110	Conical Roller Bearing	
6	1	43129	Cage 450 DRB	
7	1	44138	Lid 450 DRB	
8	1	44154	Flanged Shaft 450 DRB	
9	1	43182	Support Washer 450 DRB	
10	1	44168	Coupling 450 DRB	
11,12,13		21050	Coupling bolts 450 DRB - set	
14	1	23023	Nut KMT 14	
15,16,17	1	34000	Mechanical Seal	
18	8	21043	Socket Head Screw	
19	1	32111	O-ring	
20	1	44186	Lock Ring 450 DRB	
21	6	21088	Socket Head Screw	

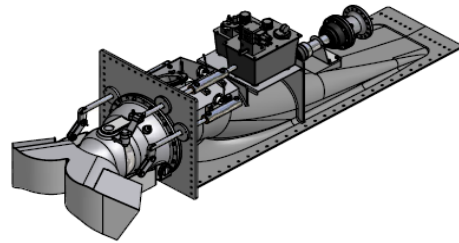


MJP 450 DRB - Hub Units

Model	Manufactured
450 DRB Hub Unit	From 2004 -

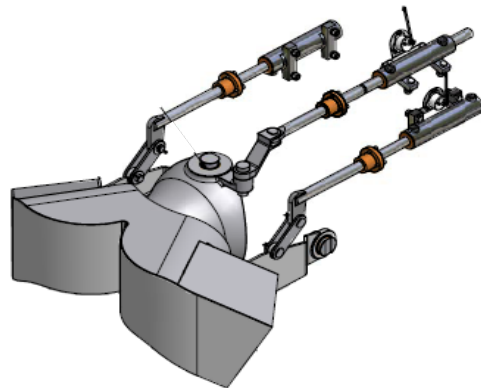
MJP 450 DRB - Intake Unit

Pos	Qty	Part No	Description	[L450-1050 F]
1	1	81010	Intake	
2	1	-	Hydraulic tank	
3	1	-	Lub oil tank	
4	1	80091	Pump unit	
5	2	41870	Cylinder 450 DRB reverse	63/40-135
6	1	80081	Steering unit	
7	3	41859	Hose clip	
8	3	41860	Hose clip	
9	1	41871	Cylinder 450 DRB steer	63/40-154
11	3	41857	Nut	
12	2	41872	Piston to rev. cyl. 41870	
13	4	32491	Link arm	
15	2	41858	Bellow	
16	4	24138	Pin shaft	
17	1	41873	Piston to steer cyl. 41871	
18	1	41858	Bellow	
19	12	21037	Screw	
20	12	22002	Washer	
21	12	23047	Nut	



MJP 450 DRB - Steering Unit Mk2

Pos	Qty	Part No	Description	[L450-1002]
1	12	22010	Lock washer	
2	1	41871	Cylinder 450 DRB steer	63/40-154
3	1	80160	Indicator Unit 450 DRB	
4	12	22002	Lock washer	
5	1	32493	Bucket 450 DRB	
6	2	41870	Cylinder 450 DRB reverse	63/40-135
7	1	80161	Indicator Unit 450 DRB Mk2	
8	6	41874	Bushing	
9	12	21093	Socket Head Screw	
10	1	32492	Steering Nozzle 450 DRB	
11	2	35056	Bushing	
12	2	24136	Pin Shaft	
13	1	32491	Link Arm (steer)	
14	1	35057	Bushing	
15	1	24141	Pin Shaft	
16	1	22005	Lock washer	
17	1	23079	Nut	
18	1	41873	Piston to steer cyl. 41871	
19	3	35059	Bushing	
20	5	24138	Pin Shaft	
21	12	21026	Hex Head Screw	
22	12	23045	Nut	
23	2	35058	Bushing	
24	2	24137	Pin Shaft	
25	2	41872	Piston to rev. cyl. 41870	
26	4	32496	Link Arm (reverse)	
27	4	22022	Washer	
28	5	23078	Cotter Pin	
30	2	41875	Bushing 450 DRB Piston - link arm	
		32298	Pin Shaft Set 450 DRB	
		32226	Bushing set - Steering Unit 450 DRB	
		44180	Seal Kit - 63/40 DRB	



Model	Manufactured
MJP 450 DRB Steer. Unit Mk1	2004
MJP 450 DRB Steer. Unit Mk2	2005-