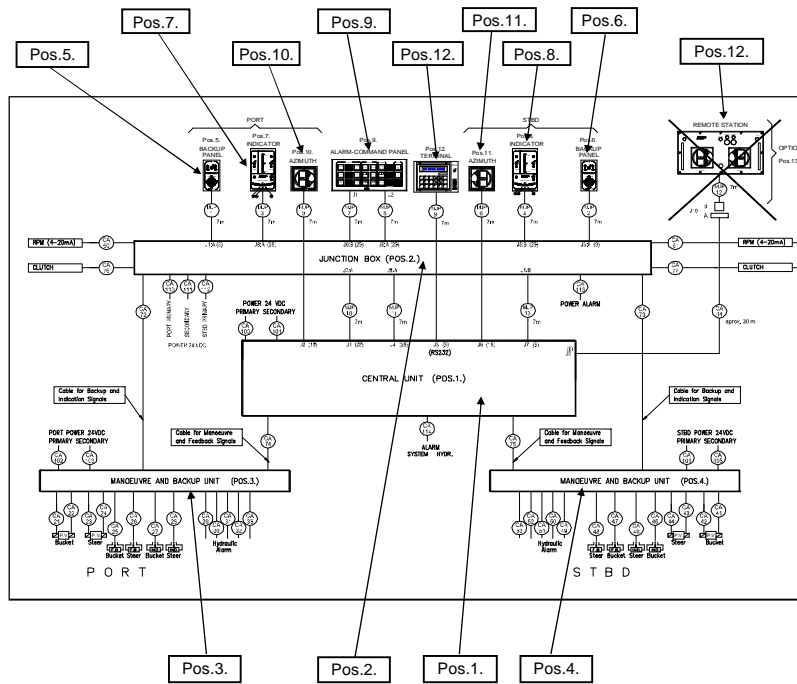


Control System

System overview

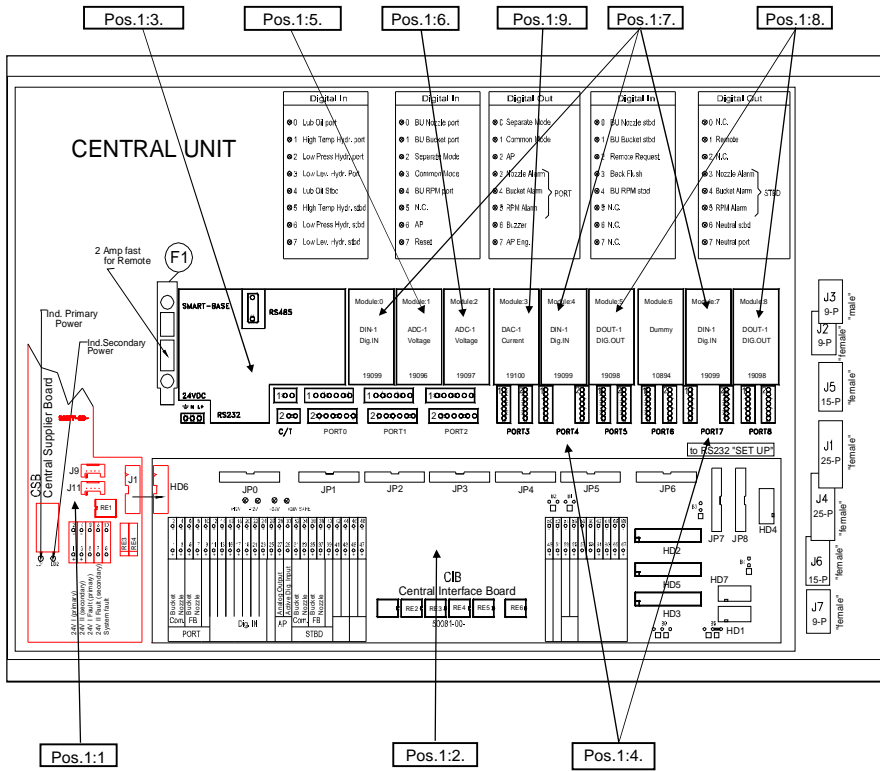


Pos.	Qty	MJP Part No.	Description	AWT Part No.
1	1	AWT-800-000	Central Unit	MJP-2122-00-
2	1	AWT-800-001	Junction Box	MJP-2121-00-
3	1	AWT-800-002	Manoeuvre and Backup Unit	MJP-2140-00-
4	1	AWT-800-003	Manoeuvre and Backup Unit	MJP-2141-00-
5	1	AWT-800-004	Backup Controller	MJP-2012-00-
6	1	AWT-800-005	Backup Controller	MJP-2013-00-
7	1	AWT-800-006	Indicator Unit	MJP-2030-00-
8	1	AWT-800-007	Indicator Unit	MJP-2031-00-
9	1	AWT-800-008	Alarm Command panel	MJP-2134-00-
10	1	AWT-800-009	Azimuth	MJP-2010-00-
11	1	AWT-800-010	Azimuth	MJP-2011-00-
12	1	AWT-800-011	Terminal	MJP-2037-00-
13	1	AWT-800-012	Remote Station	MJP-2036-00-

Control System

Central Unit

Pos.1

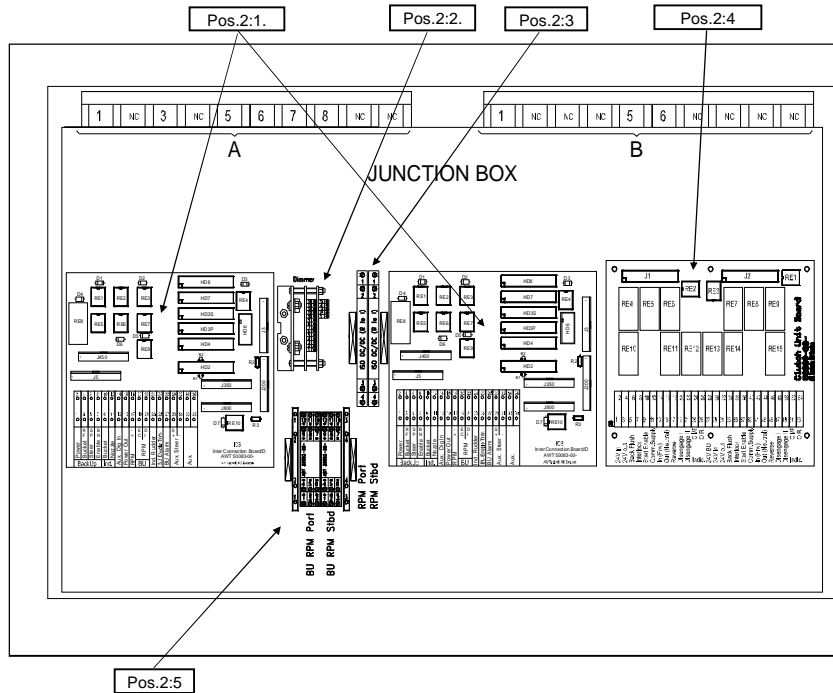


Pos.	Qty	MJP Part No.	Description	AWT Part No.
Pos.1:1.	1	AWT-800-013	Central Supplier Board	AWT 50077-00-
Pos.1:2.	1	AWT-800-014	Central Interface Board	AWT 50081-00-
Pos.1:3.	1	AWT-255-054	Smart I/O Base	AWT 19094
Pos.1:4.	2	AWT-255-055	Smart 2 Base	AWT 19095
Pos.1:5.	1	AWT-255-056	Analog In +/-10V	AWT 19096
Pos.1:6.	1	AWT-255-057	Analog In 0-20mA	AWT 19097
Pos.1:7.	3	AWT-255-059	Digital OUT	AWT 19098
Pos.1:8.	2	AWT-255-060	Digital IN	AWT 19099
Pos.1:9.	1	AWT-255-058	Analog OUT 0-20mA	AWT 19100

Control System

Junction Box

Pos.2.

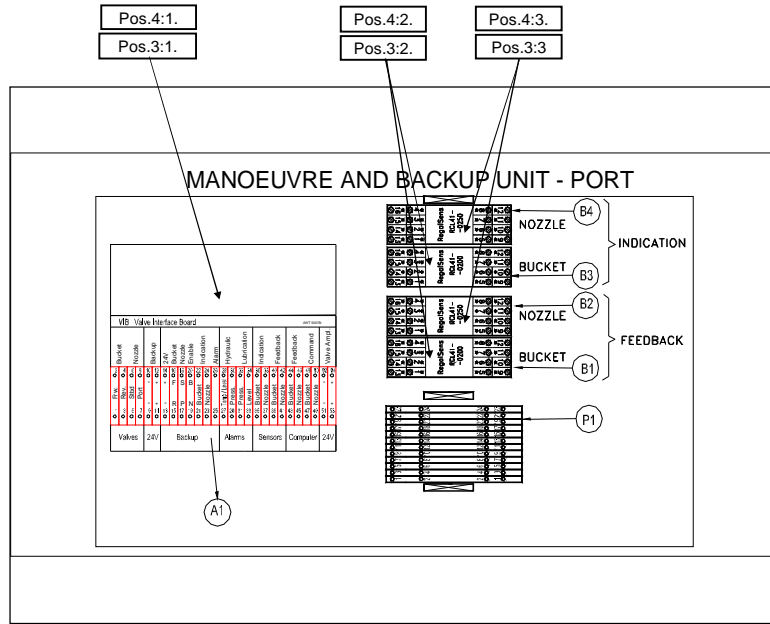


Pos.	Qty	MJP Part No.	Description	AWT Part No.
Pos.2:1	2	AWT-800-015	Inter Connection Board	AWT-50083-00-
Pos.2:2	1	AWT-800-016	Dimmer	AWT-50094-00-
Pos.2:3	2	AWT-800-017	DC/DC- Converter	AWT-750513
Pos.2:4	1	AWT-800-018	Clutch Unit Board	AWT-50089-00-
Pos.2:5	2	AWT-800-019	RPM Switch	AWT-50092-00-

Control System

Manoeuvre and Backup Unit

Pos.3+4.

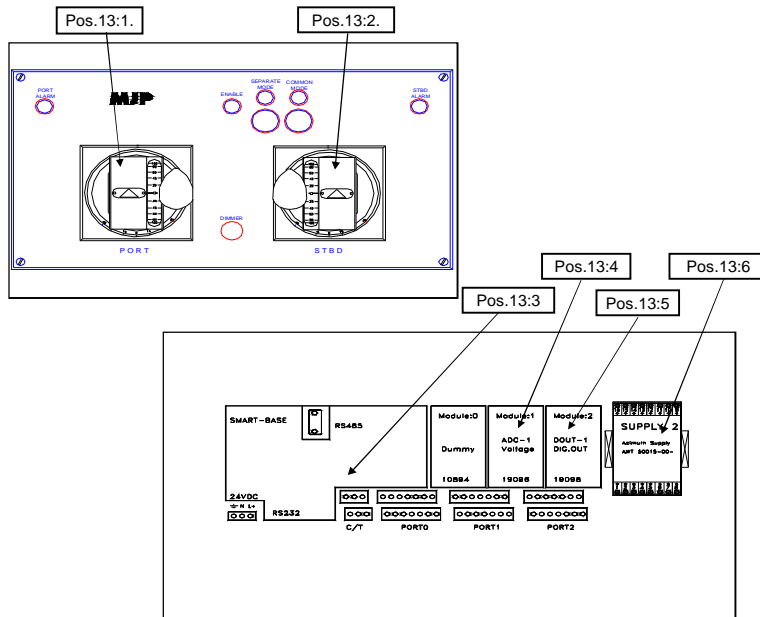


Pos.	Qty	MJP Part No.	Description		AWT Part No.
Pos.n:1	2	AWT-800-020	Valve Interface Board	port/stbd	AWT- 50083-
Pos.n:2	4	41814	Electronic Module RCL 200	port/stbd	AWT-RCL 41-0200
Pos.n:3	4	41815	Electronic Module RCL 250	port/stbd	AWT-RCL 41-0250

Control System

Remote Station

Pos.13.



Pos.	Qty	MJP Part No.	Description	AWT Part No.
Pos.13:1	1	AWT-800-009	Azimuth port	MJP-2010-00-
Pos.13:2	1	AWT-800-010	Azimuth stbd	MJP-2011-00-
Pos.13:3	1	AWT-255-054	Smart I/O Base	AWT19094
Pos.13:4	1	AWT-255-056	Analog In +/- 10V	AWT19096
Pos.13:5	1	AWT-255-060	Digital IN	AWT19099
Pos.13:6	1	AWT-800-028	Azimuth Supply	AWT-50071-00-

