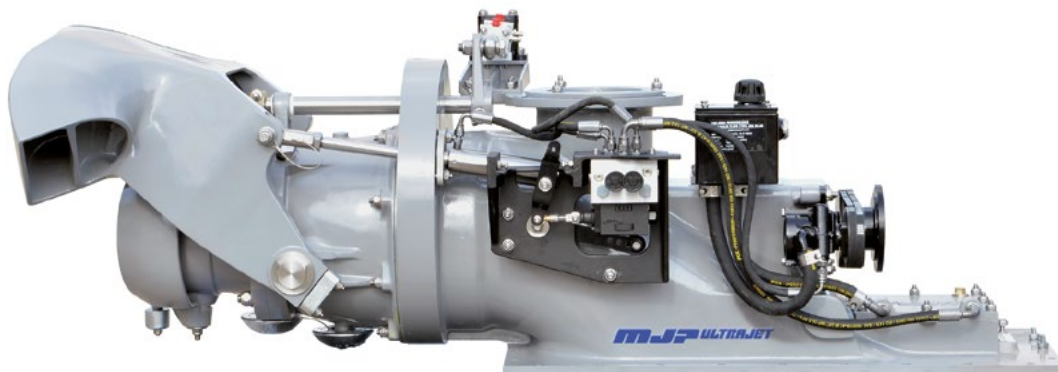


The MJP Ultrajet range excels where high bollard pull and exceptional acceleration is a specified craft requirement and boat speed must not be sacrificed to achieve this.

## MJP Ultrajet 340



Lloyds ISO9001 approved

### Features & Benefits

- Low profile for lower decks and hydrodynamic intake housing
- Higher inspection cover to prevent overflow
- Improved reversing with new reverse deflector
- Inboard hydraulic cylinder for reverse deflector operation
- Sealed drive bearings for reduced maintenance
- Less static hull immersion required for initial priming
- Wide range of MJP-developed mechanical and electrical reversing controls
- Standard rubber impeller shaft bearing or optional composite bearing if dry running is required
- Light weight and compact design with a variety of on jet and remote mounted hydraulic control systems
- High propulsive efficiency
- Superior manoeuvrability. Ability to accelerate quickly, reverse, stop, rotate, hold station and move sideways for ease of docking
- Excellent resistance to cavitation in displacement craft - high thrust at low speed
- Lower vibration and noise levels than other propulsion methods

### Description

The MJP Ultrajet 340 with a 340mm (13.4") diameter impeller provides higher thrust per horsepower when matched to modern engines in the 242-448 kW range. The MJP Ultrajet 340 is one of a range of high performance MJP Ultrajet drives developed for commercial, pleasure and military craft.

Single stage design utilising four or five bladed impellers to match the specified engine power at a range of input speeds.

The MJP Ultrajet 340 is derived from the Ultra and Dowty jet drive range used in military and commercial applications for almost forty years. The MJP Ultrajet 340 incorporates an efficient and robust axial flow pump, reverse and steering controls, and has many of the same design features used in the current MJP Ultrajet range.

### Planing Craft

Maximum input power 448 kW (600 bhp)

Single jet up to 9 tonnes (19,836 lb.)

Twin jets up to 20 tonnes (44,080 lb.)

Triple jets up to 32 tonnes (70,528 lb.)

### Displacement Craft

Maximum input power 242 kW (325 bhp)

Single jet up to 15 tonnes (33,060 lb.)

Twin jets up to 33 tonnes (72,732 lb.)

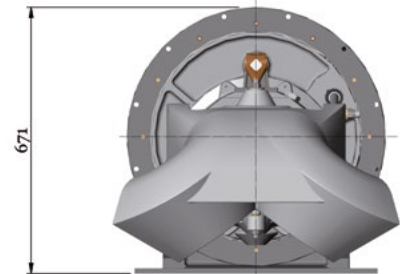
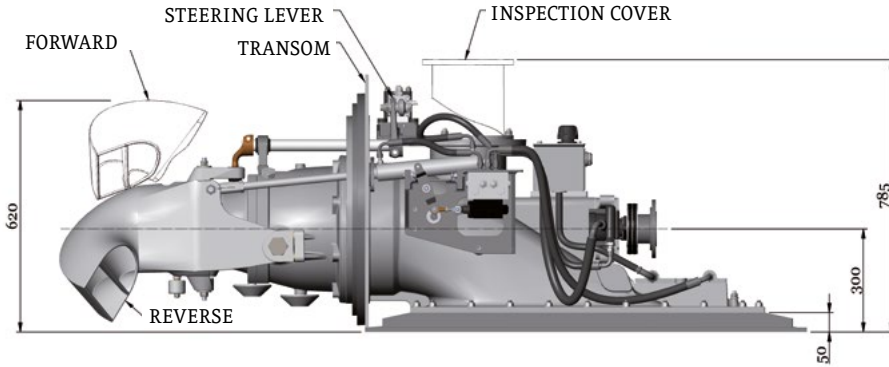
Triple jets up to 55 tonnes (121,220 lb.)

Note: The displacement figures can often be exceeded on good hull shapes.

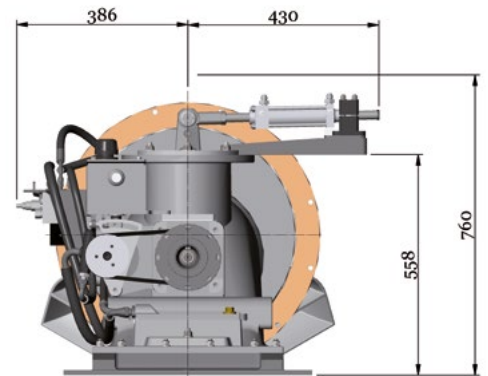
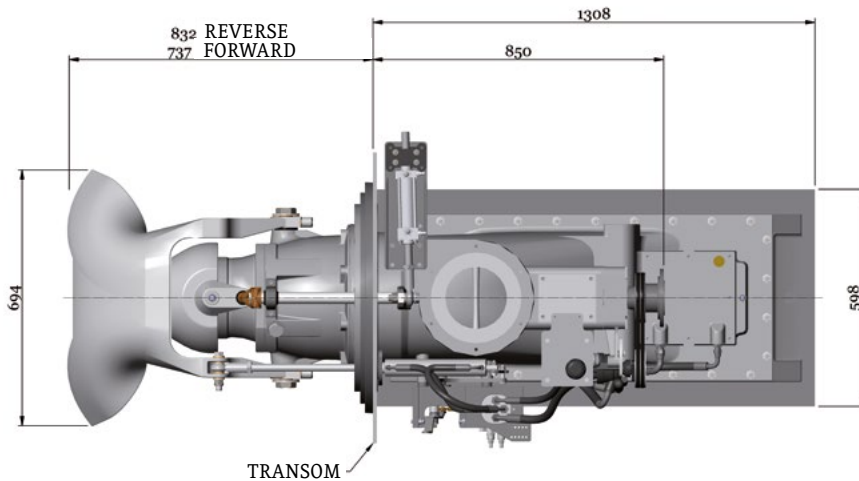
A force to trust

**MJP**  
MARINE JET POWER

## MJP Ultrajet 340



OUTBOARD VIEW OF MJP ULTRAJET UNIT



INBOARD VIEW OF MJP ULTRAJET UNIT

### Typical Specifications:

1. Impellers are available to match most diesel and gasoline engine and transmission combinations for optimum thrust performance.
2. DIN, SAE or other drive flange options can be supplied.
3. Unit weight 250 kg (551 lb.) dry (includes hydraulic system and controls) or 291 kg (641 lb.) including entrained water.
4. Consult Marine Jet Power Technical Department for vessel and performance analysis.

We have a policy of continuous improvement in design. Specifications may, therefore, be changed without notice. When considering applications for this equipment it is recommended that our Technical Sales Department is consulted.

Marine Jet Power AB  
Hanselligatan 6  
SE 754 50 Uppsala  
Sweden  
Tel: +46 (0)10 165 10 00

Marine Jet Power Inc.  
6740 Commerce Court Drive  
Blacklick, OH 43004-9200  
USA  
Tel: +1 (614) 759 90 00

Marine Jet Power Korea Co. Ltd  
#C-809  
Centumdong-Ro 123  
Haeundae-Gu  
Busan 48050 Korea