



MJP
MARINE JET POWER

HIGH-THRUST FOR AMPHIBIOUS VEHICLES

MJP **PODJET**

ENGINEERED TO DELIVER. TRUSTED TO PERFORM.

With thousands of units delivered for amphibious military vehicles, the MJP PodJet is a compact and trusted propulsion solution. It combines high thrust, exceptional maneuverability, and versatile installation – even in challenging conditions.

Thanks to its efficient pump design, the MJP PodJet delivers consistent high thrust across all conditions and speeds. As MJP's newest update, the PodJet is built to handle vehicles up to 30+ tons. Its flexible design allows for multiple mounting orientations and shaft input angles, with compatibility for hydraulic, mechanical, or electric power sources.

Built for high performance. Ready for real-world demands.



- > High performance axial flow pump
- > 100% power at zero speed
- > 360-degree maneuverability in all conditions
- > Interchangeable shaft options
- > Lightweight and high power
- > Can be controlled with simple push/pull cable if desired
- > Safe for personnel in the water
- > Field serviceable and replaceable
- > Redundancy for battlefield conditions –
maneuverability even with one PodJet



PODJET

HIGH-THRUST FOR AMPHIBIOUS VEHICLES

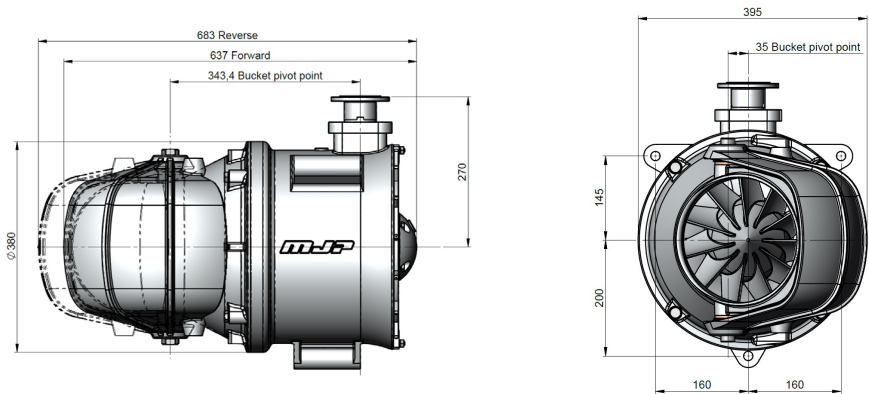
MAX KW
MAX BHP

110 kW
150 bhp

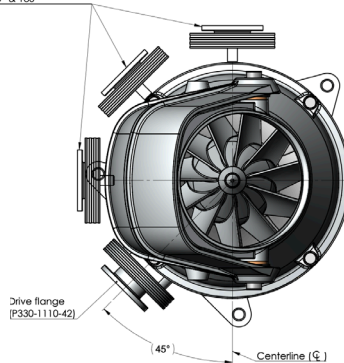
MATERIALS

Body:
Pump Unit:
Intake:

Aluminum
Aluminum
Aluminum



Drive shaft angle to G available at 15° intervals.
Shown intervals: 45°, 90°, 135° & 180°



MODULAR DRIVE INPUT

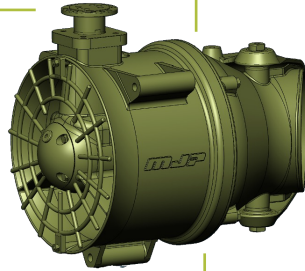
- Drive flange or spline shaft – both as bolt-on solutions

IMPROVED SEALINGS

MOUNT FOR BUCKET CONTROL

IMPROVED GEARING

- Spiral bevel gear
- More efficient
- Reduced noise



FLEXIBLE INPUT ANGLE

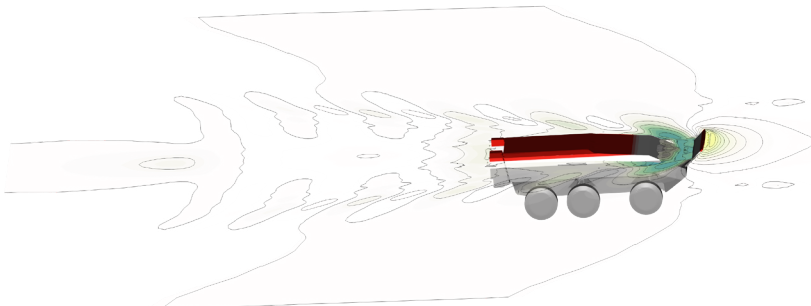
- Adjustable in steps of 15°

ENGINEERING SERVICES

MJP offers engineering support to optimize PodJet integration and performance.

- Resistance & self-propulsion simulations
- Pod placement & LCG optimization
- CFD and FEA analyses

SURFACE ELEVATION (m)





At Marine Jet Power, we engineer mission-ready waterjet propulsion solutions. With more than 40 years of experience and installations in over 100 countries, we deliver custom-fit systems built for performance, precision, and uptime.

Working closely with shipyards, designers, and operators from concept to lifecycle support, we tailor every setup to real operational demands. Trusted by fleets, defense forces, and commercial operators worldwide.



[/marine-jet-power](#)



[/MarineJetPower](#)



[Marine Jet Power](#)



[@mjpowerjets](#)

MARINE JET POWER (HQ)

Hansellsgatan 6
754 50 Uppsala
SWEDEN
+46 (0) 10 165 10 00

SOUTH KOREA

Gamcheonhang-ro 165-4,
Saha-gu
49454 Busan
KOREA
+82 (51) 746 6428

AMERICAS

6740 Commerce Ct. Drive
Blacklick, OH 43004
USA
+1 614-759-9000

SINGAPORE

Nordic European Centre,
3 International Business Park,
#03-24, 609927
SINGAPORE
+46 (0) 10 165 10 00

INDIA

N-70, GIDC,
Phase 4, Verna Industrial Area,
Verna, Goa -403722
+91 85951 11204
+91 93268 47029

www.marinejetpower.com

sales@marinejetpower.com